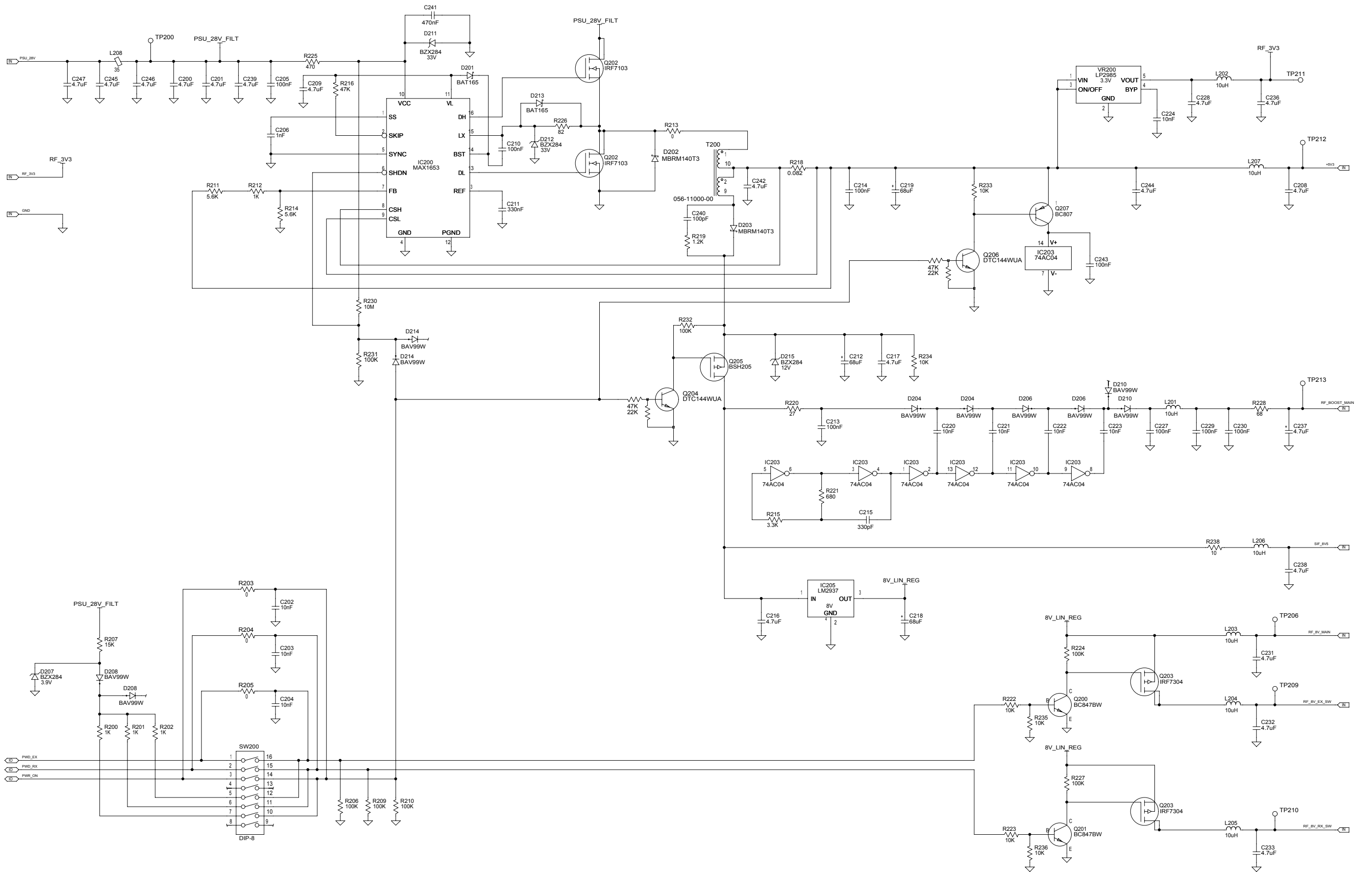


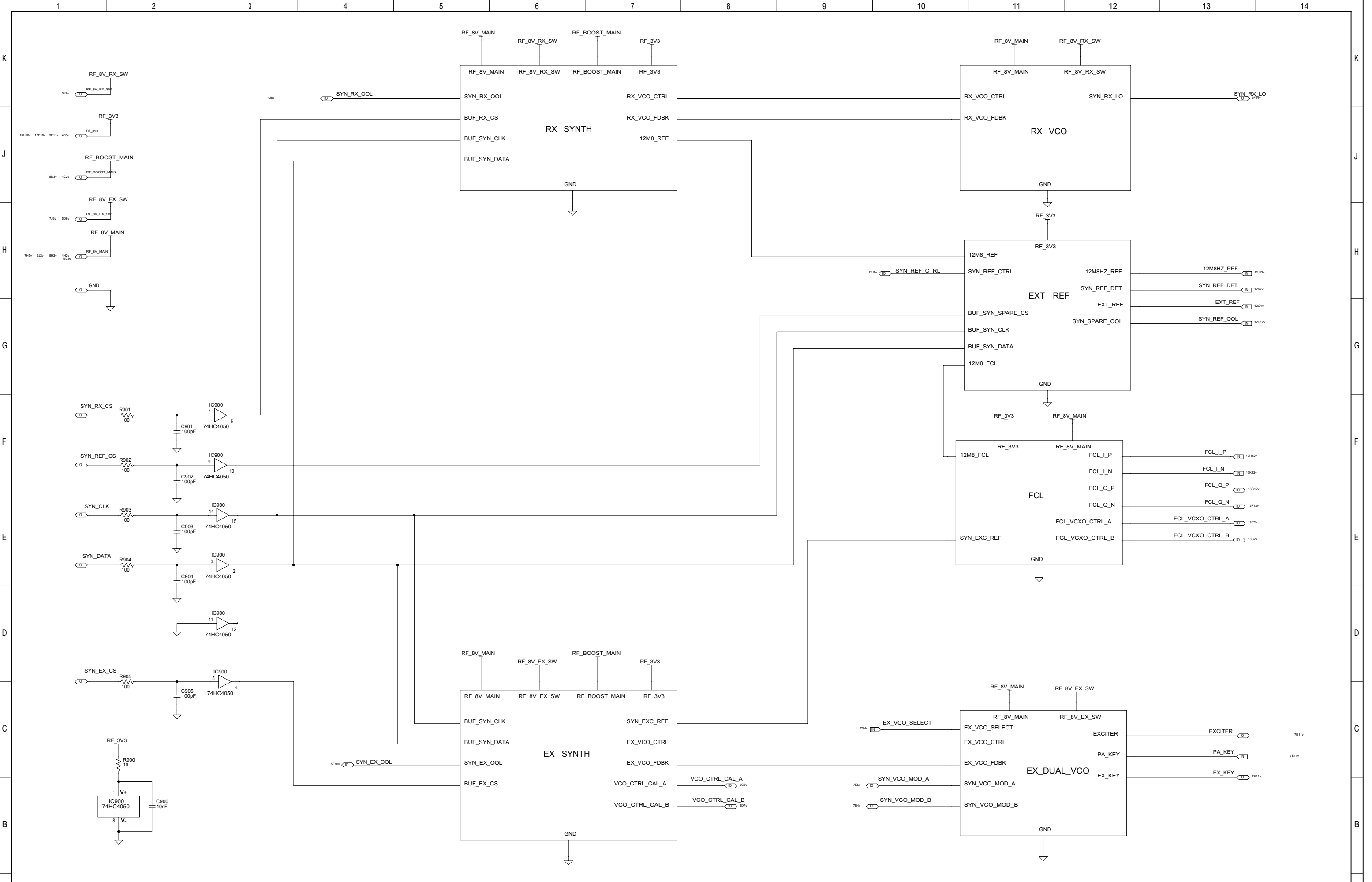
02B	MINOR VALUE CHANGES	PL	PL	PL	DEC04
02A	REFER TO DCO 00287-003 A NUMBER OF HOT VIAS MOVED	CJK	PL	PL	13SEP04
01A	REFER TO DCO 00287-002 & IPN UPDATE	CJK	PL	PL	30AUG04
REV/ISS	AMENDMENTS	DRAWN	CHKD	D.O.	APVD DATE

© TAIT ELECTRONICS		A1
TB8000 800MHz		
RECITER RF TOP LEVEL		
IPN:	ISSUE:	VARIANT NUMBER:
220-02061-02	B	?
FILE DATE:	Wed Jan 12 11:41:32 2005	SHEET NUMBER:
ENGINEER:	FILE NAME:	1 OF 18
P. Lagias	220_02061	



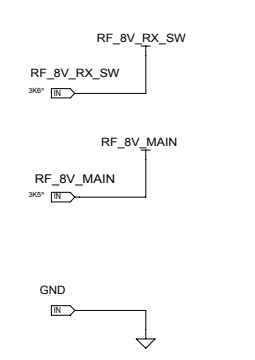
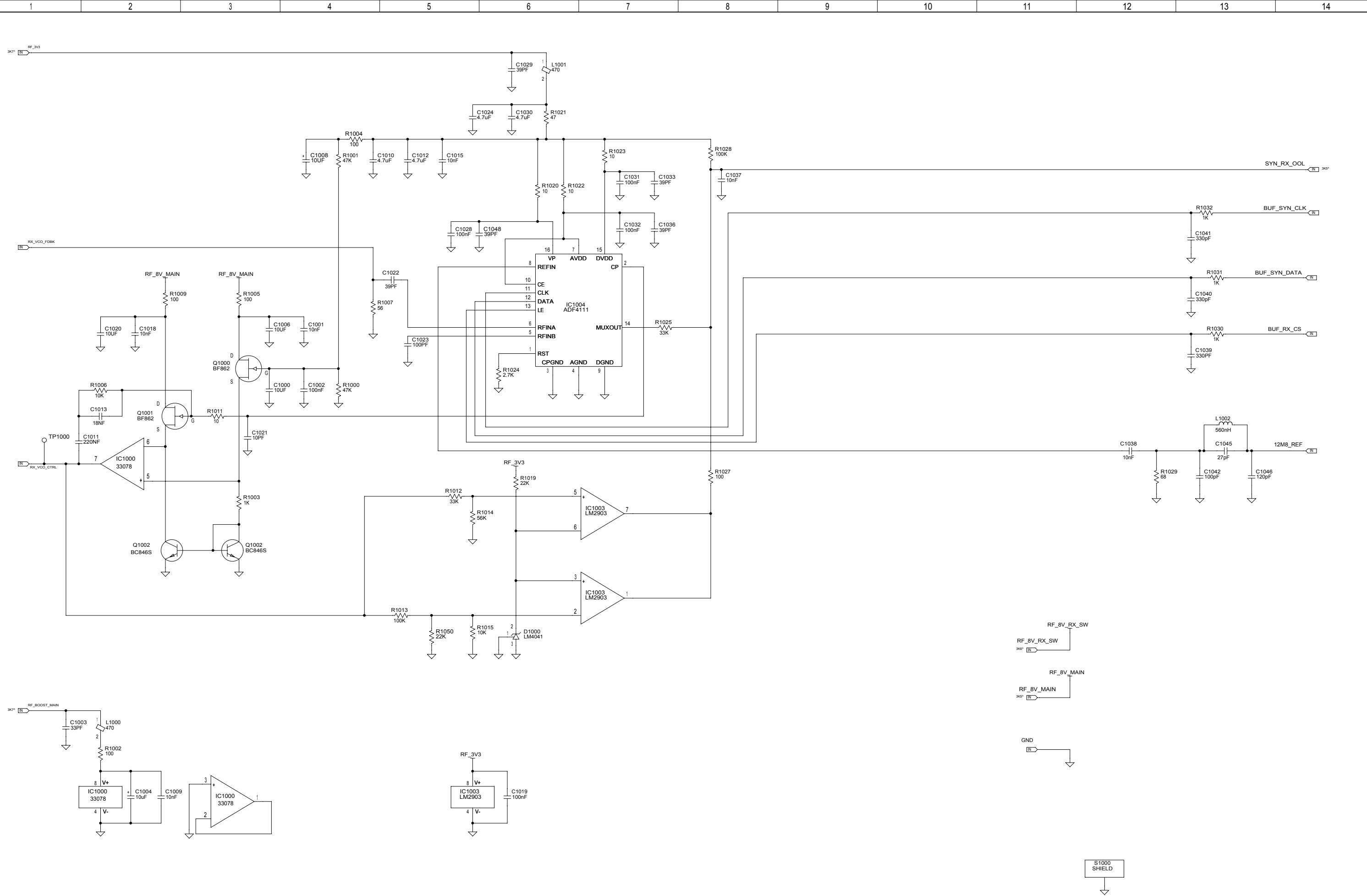
© TAIT ELECTRONICS		A1
<b>TB8000 800MHz POWER SUPPLY</b>		
IPN: 220-02061-02	ISSUE: B	VARIANT NUMBER: ?
FILE DATE: Wed Jan 12 11:41:12 2005		
ENGINEER: P. Lagias	FILE NAME: 220_02061	SHEET NUMBER: 2 OF 18

REV/ISS	AMENDMENTS	DRAWN	CHKD	D.O.	APVD	DATE
1						
2						
3						
4						
5						
6						
7						
8						
9						
10						
11						
12						
13						
14						



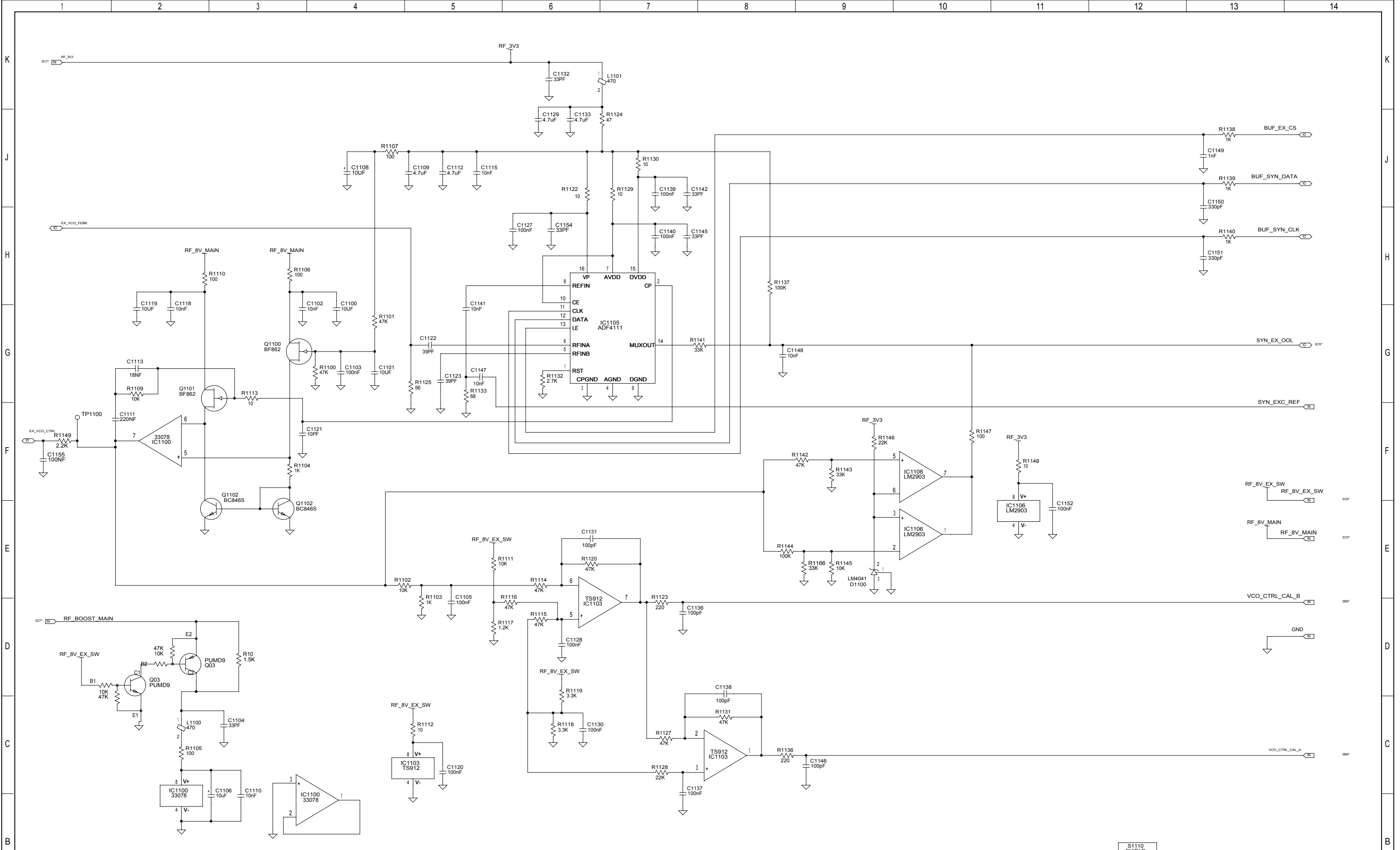
© TAIT ELECTRONICS		A1
<b>TB8000 800MHz SYNTH &amp; VCOS</b>		
IPN: 220-02061-02	ISSUE: B	VARIANT NUMBER: ?
FILE DATE: Tue Nov 23 16:33:18 2004	ENGINEER: P. Lagias	
FILE NAME: 220_02061	SHEET NUMBER: 3 OF 18	

REV/ISS	AMENDMENTS	DRAWN	CHKD	D.O.	APVD	DATE
1						
2						
3						
4						
5						
6						
7						
8						
9						
10						
11						
12						
13						
14						



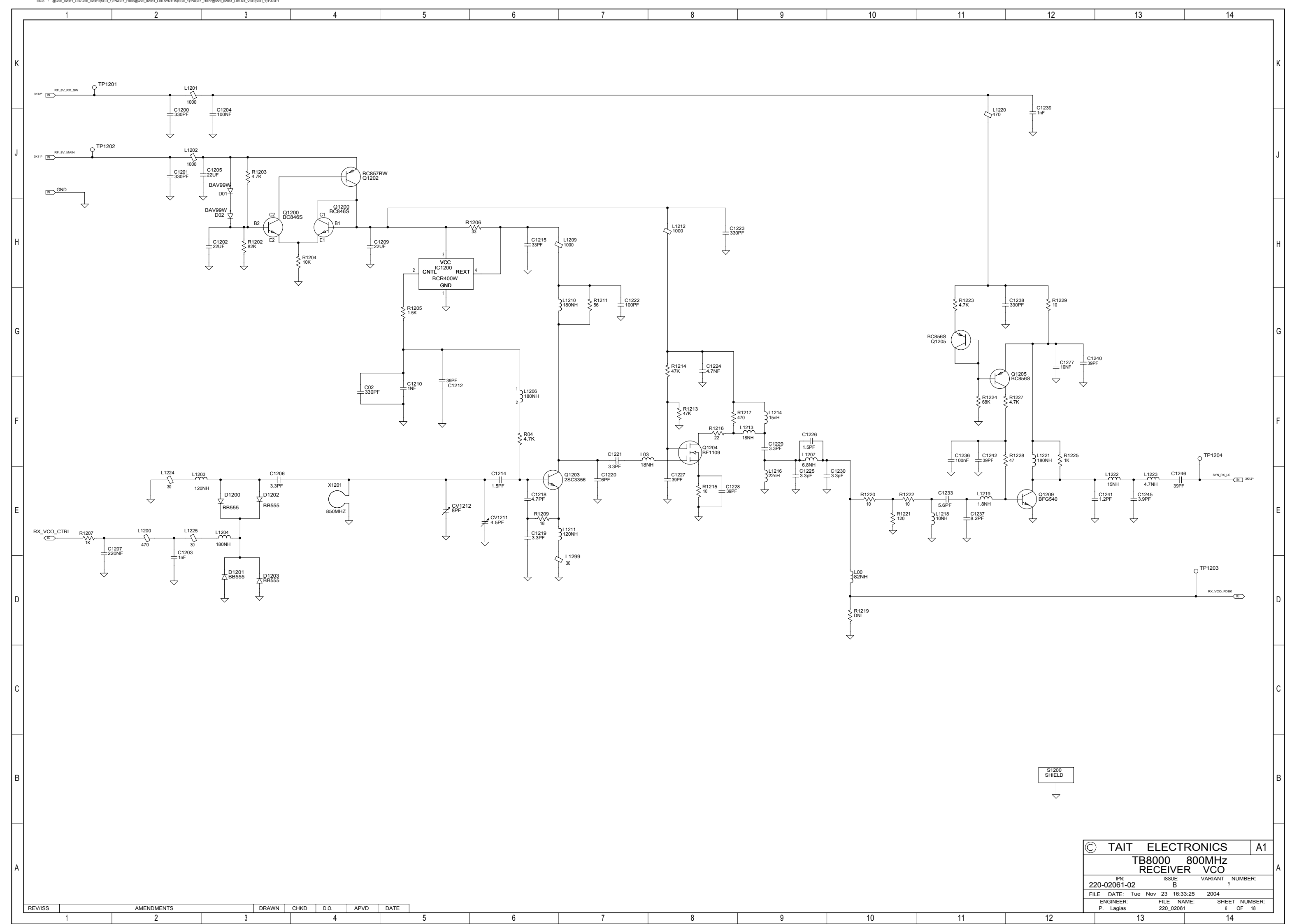
© TAIT ELECTRONICS		A1
TB8000 800MHz		
RECEIVER SYNTH		
IPN: 220-02061-02	ISSUE: B	VARIANT NUMBER: ?
FILE DATE: Tue Nov 23 16:33:21 2004		
ENGINEER: P. Lagias	FILE NAME: 220_02061	SHEET NUMBER: 4 OF 18

REV/ISS	AMENDMENTS	DRAWN	CHKD	D.O.	APVD	DATE
1						
2						
3						
4						
5						
6						
7						
8						
9						
10						
11						
12						
13						
14						



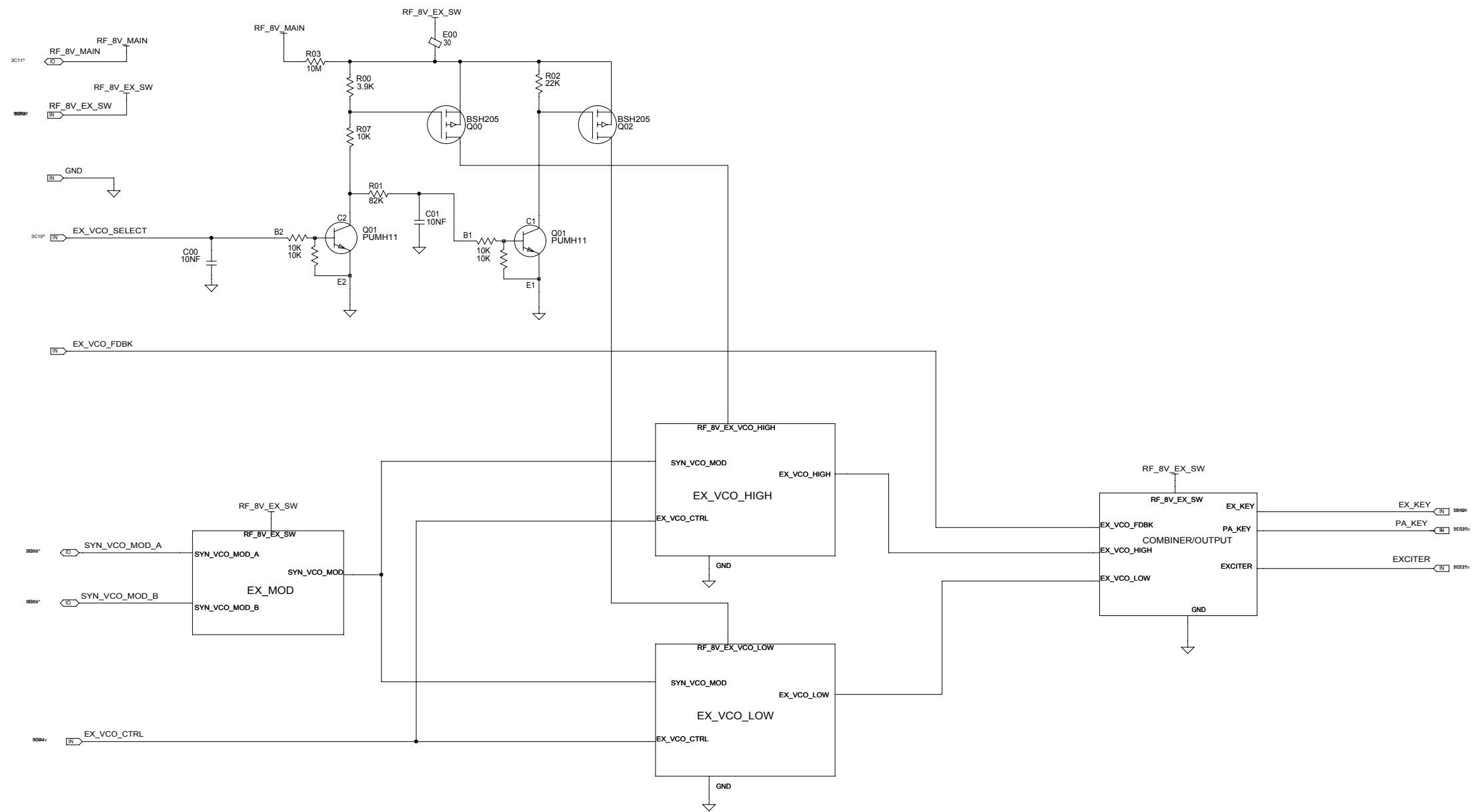
REV/ISS	1	2	3	4	5	6	7	8	9	10	11	12	13	14
AMENDMENTS														
DRAWN														
CHKD														
D.O.														
APVD														
DATE														

© TAIT ELECTRONICS		A1
<b>TB8000 800MHz EXCITER SYNTH</b>		
IPN: 220-02061-02	ISSUE: B	VARIANT NUMBER: ?
FILE DATE: Tue Nov 23 16:33:23 2004		
ENGINEER: P. Lagias	FILE NAME: 220_02061	SHEET NUMBER: 5 OF 18



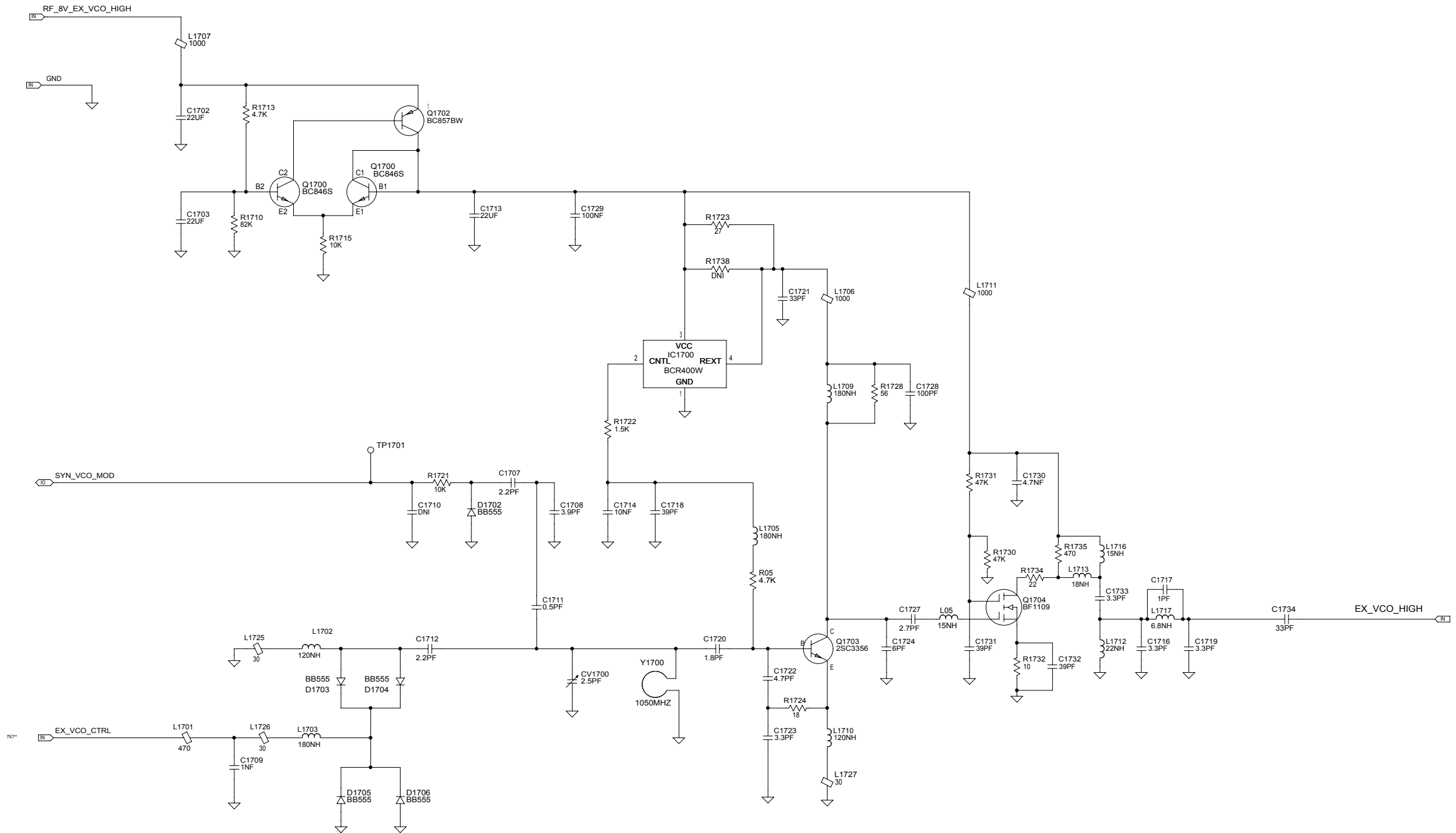
© TAIT ELECTRONICS		A1
TB8000 800MHz RECEIVER VCO		
IPN: 220-02061-02	ISSUE: B	VARIANT NUMBER: ?
FILE DATE: Tue Nov 23 16:33:25 2004	SHEET NUMBER: 6 OF 18	
ENGINEER: P. Lagias	FILE NAME: 220_02061	SHEET NUMBER: 6 OF 18

REV/ISS	AMENDMENTS	DRAWN	CHKD	D.O.	APVD	DATE
1						
2						
3						
4						
5						
6						
7						
8						
9						
10						
11						
12						
13						
14						



© TAIT ELECTRONICS		A1
<b>TB8000 800MHz EXCITER DUAL VCO</b>		
IPN: 220-02061-02	ISSUE: B	VARIANT NUMBER: ?
FILE DATE: Tue Nov 23 16:33:27 2004	SHEET NUMBER: 7 OF 18	
ENGINEER: P. Lagias	FILE NAME: 220_02061	SHEET NUMBER: 7 OF 18

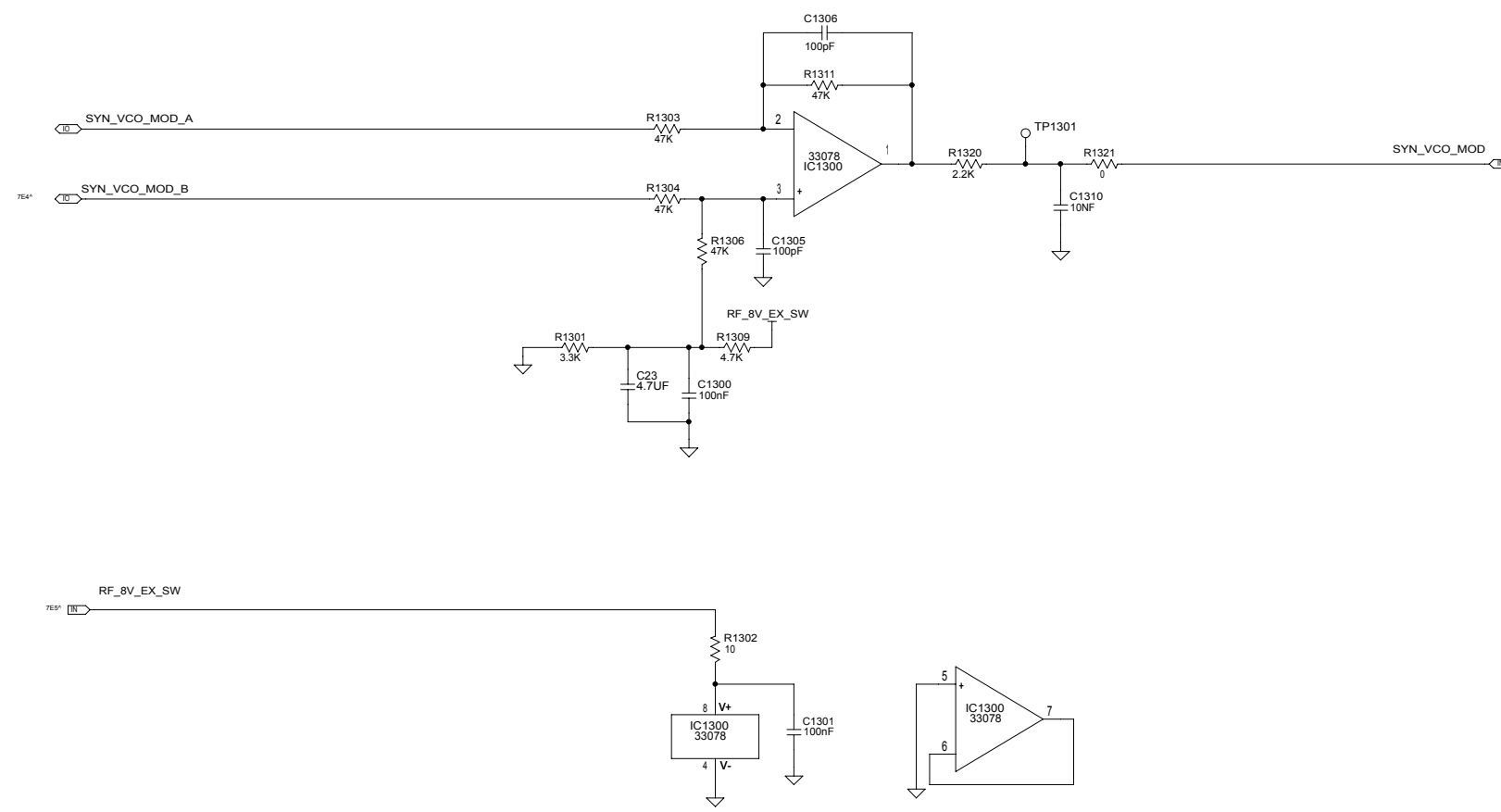
REV/ISS	AMENDMENTS	DRAWN	CHKD	D.O.	APVD	DATE
1						
2						
3						
4						
5						



© TAIT ELECTRONICS		A1
<b>TB8000 800MHz EXCITER VCO HIGH</b>		
IPN: 220-02061-02	ISSUE: B	VARIANT NUMBER: ?
FILE DATE: Tue Nov 23 16:33:37 2004	SHEET NUMBER: 8 OF 18	
ENGINEER: P. Lagias	FILE NAME: 220_02061	SHEET NUMBER: 8 OF 18

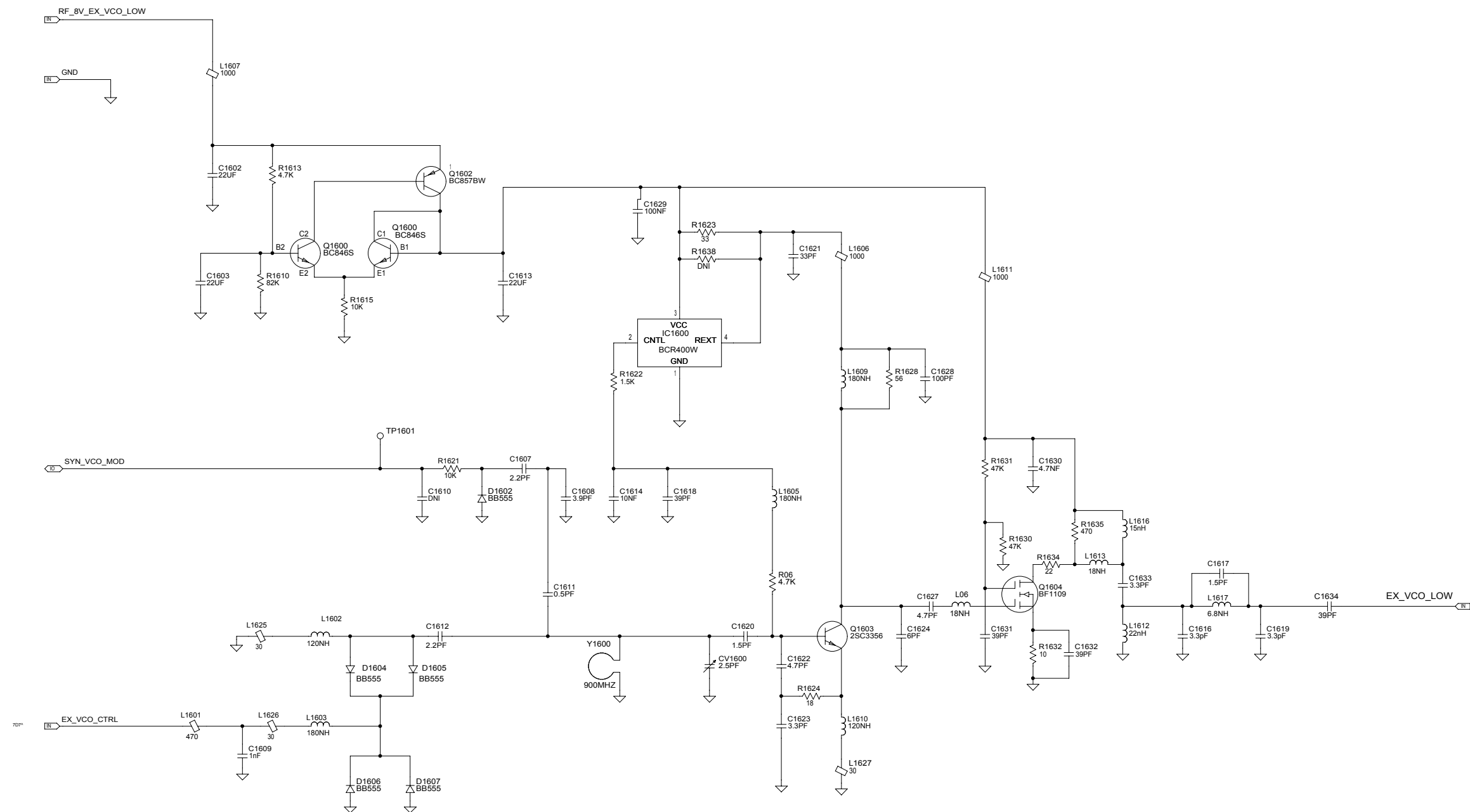
REV/ISS	AMENDMENTS	DRAWN	CHKD	D.O.	APVD	DATE
1						
2						
3						
4						
5						
6						
7						
8						
9						
10						
11						
12						
13						
14						





© TAIT ELECTRONICS		A1
<b>TB8000 800MHz EXITER MODULATION</b>		
IPN: 220-02061-02	ISSUE: B	VARIANT NUMBER: ?
FILE DATE: Tue Nov 23 16:33:28 2004		
ENGINEER: P. Lagias	FILE NAME: 220_02061	SHEET NUMBER: 9 OF 18

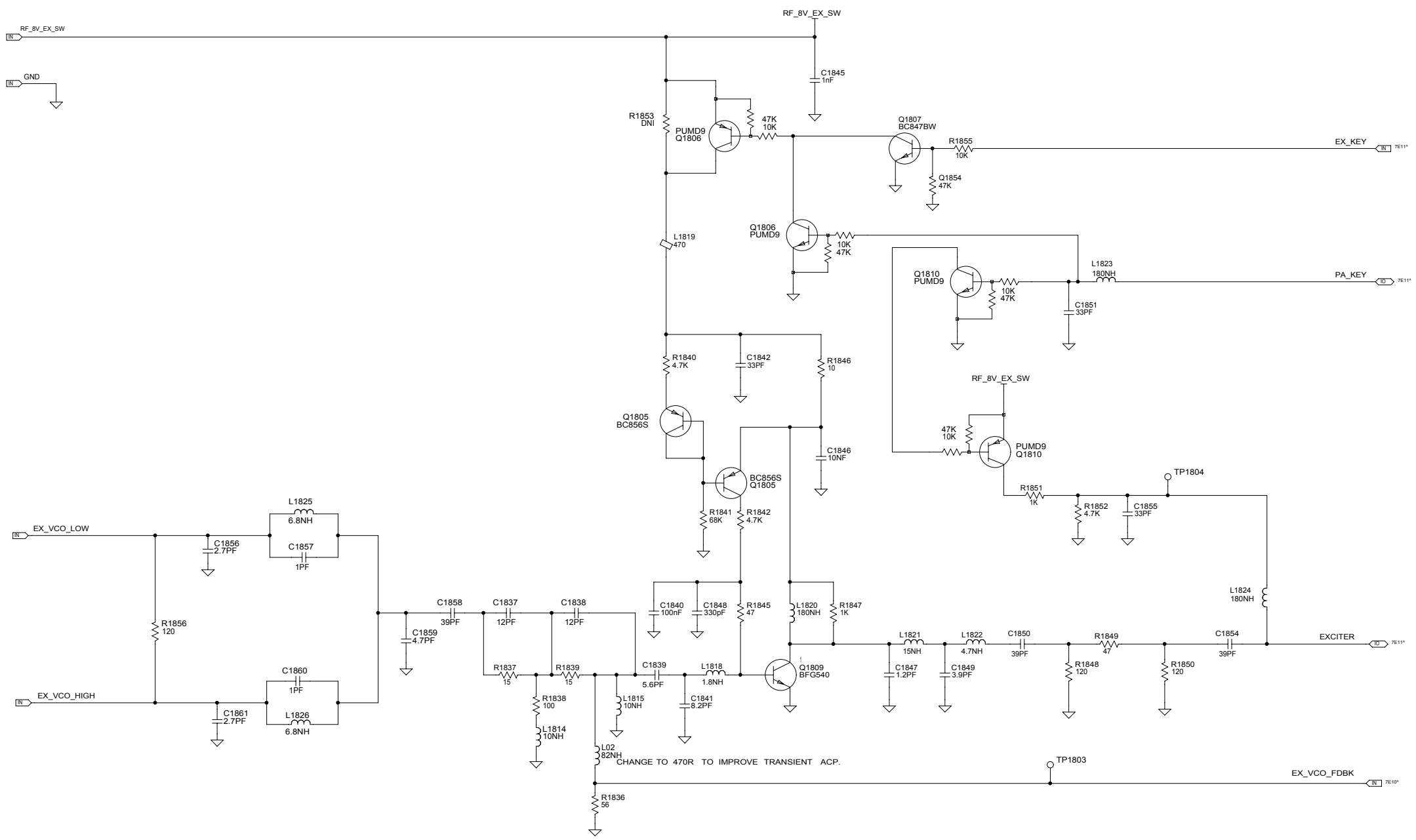
REV/ISS	AMENDMENTS	DRAWN	CHKD	D.O.	APVD	DATE
1						
2						
3						
4						
5						
6						
7						
8						
9						
10						
11						
12						
13						
14						



S1600  
SHIELD

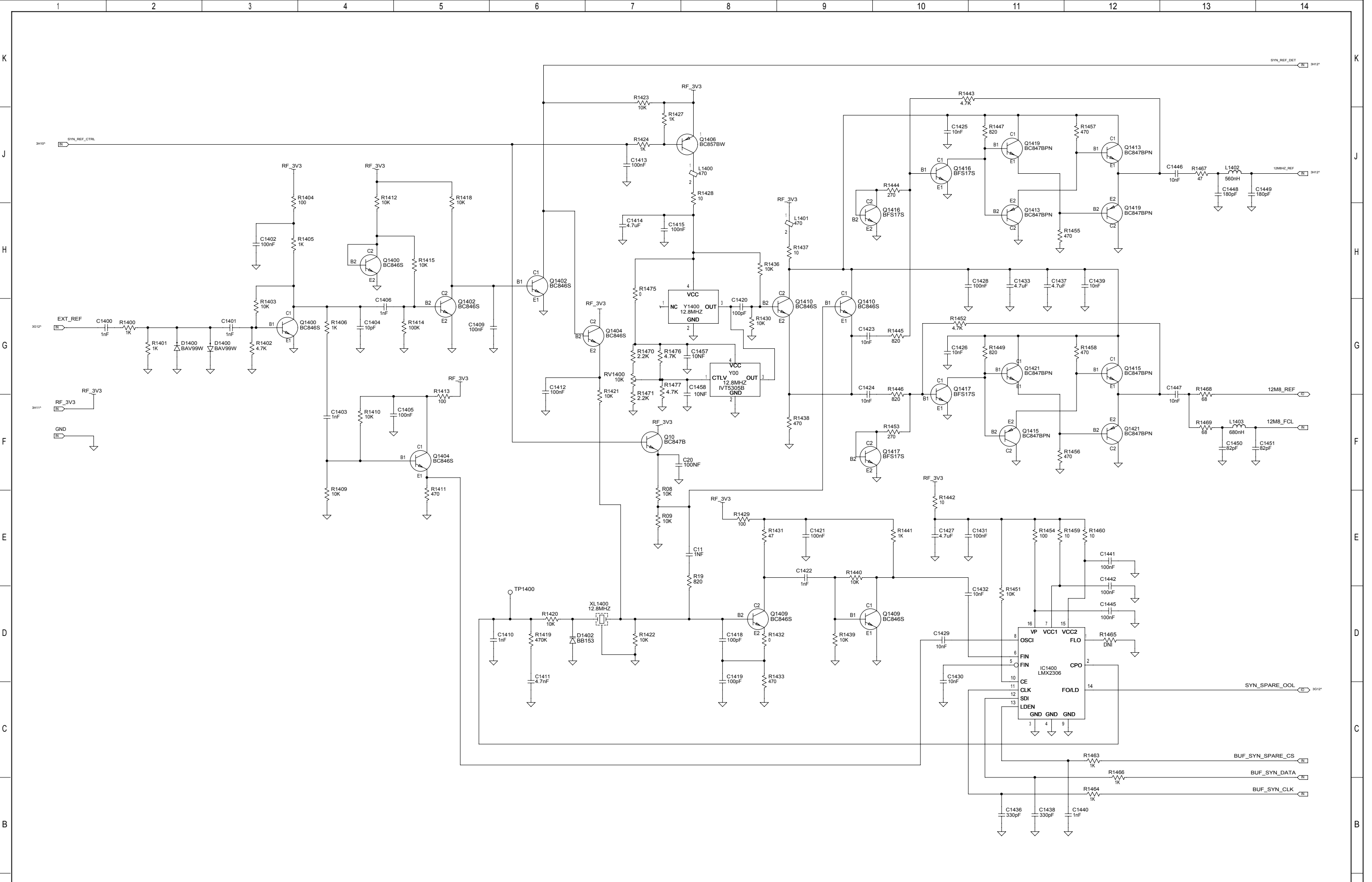
© TAIT ELECTRONICS		A1
TB8000 800MHz EXCITER VCO LOW		
IPN: 220-02061-02	ISSUE: B	VARIANT NUMBER: ?
FILE DATE: Tue Nov 23 16:33:30 2004		
ENGINEER: P. Lagias	FILE NAME: 220_02061	SHEET NUMBER: 10 OF 18

REV/ISS	AMENDMENTS	DRAWN	CHKD	D.O.	APVD	DATE
1						
2						
3						
4						
5						
6						
7						
8						
9						
10						
11						
12						
13						
14						



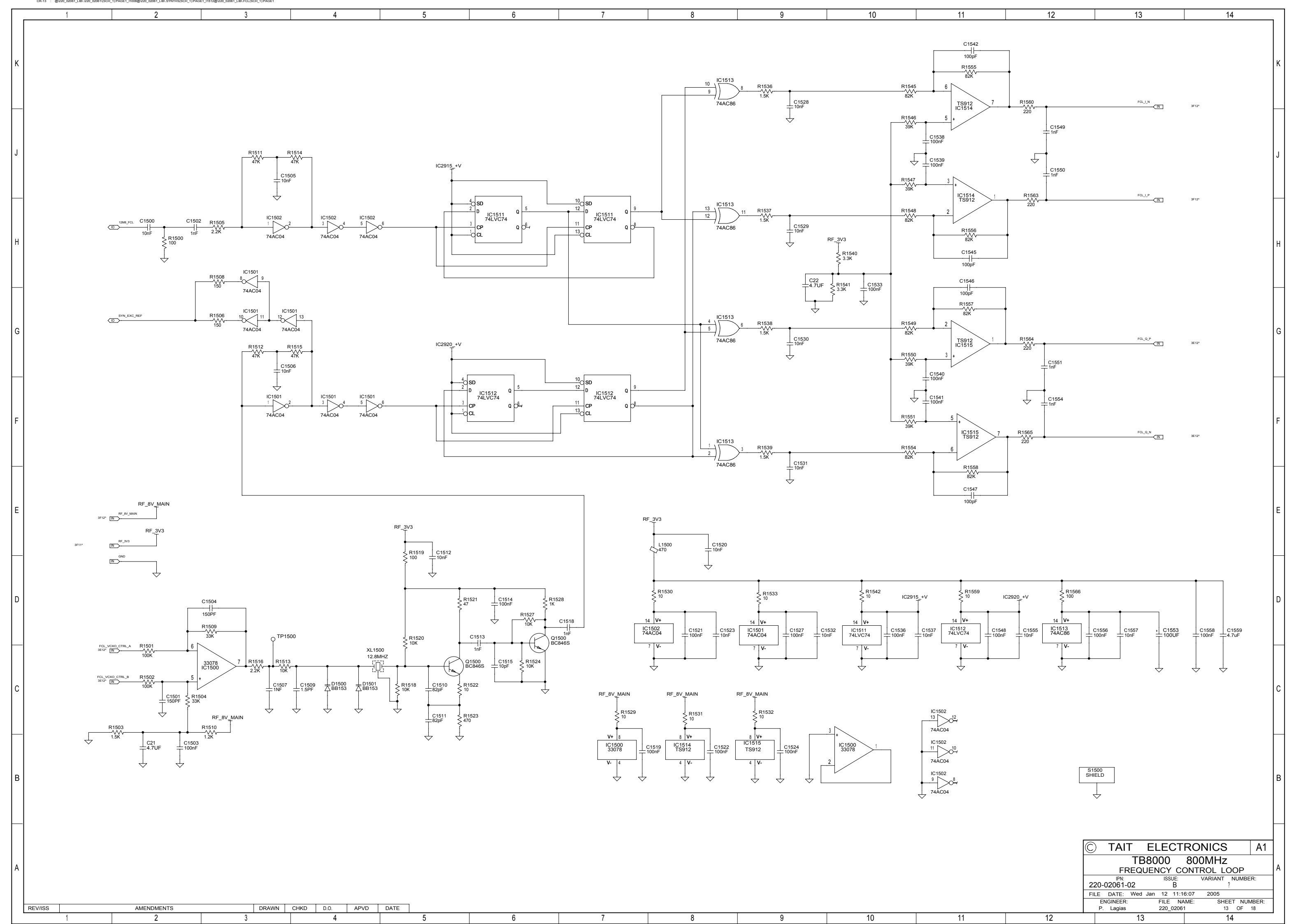
© TAIT ELECTRONICS		A1
<b>TB8000 800MHz EXCITER COMBINER/OUTPUT</b>		
IPN: 220-02061-02	ISSUE: B	VARIANT NUMBER: ?
FILE DATE: Wed Jan 12 11:14:34 2005	SHEET NUMBER: 11 OF 18	
ENGINEER: P. Lagias	FILE NAME: 220_02061	SHEET NUMBER: 11 OF 18

REV/ISS	AMENDMENTS	DRAWN	CHKD	D.O.	APVD	DATE
1						
2						
3						
4						
5						



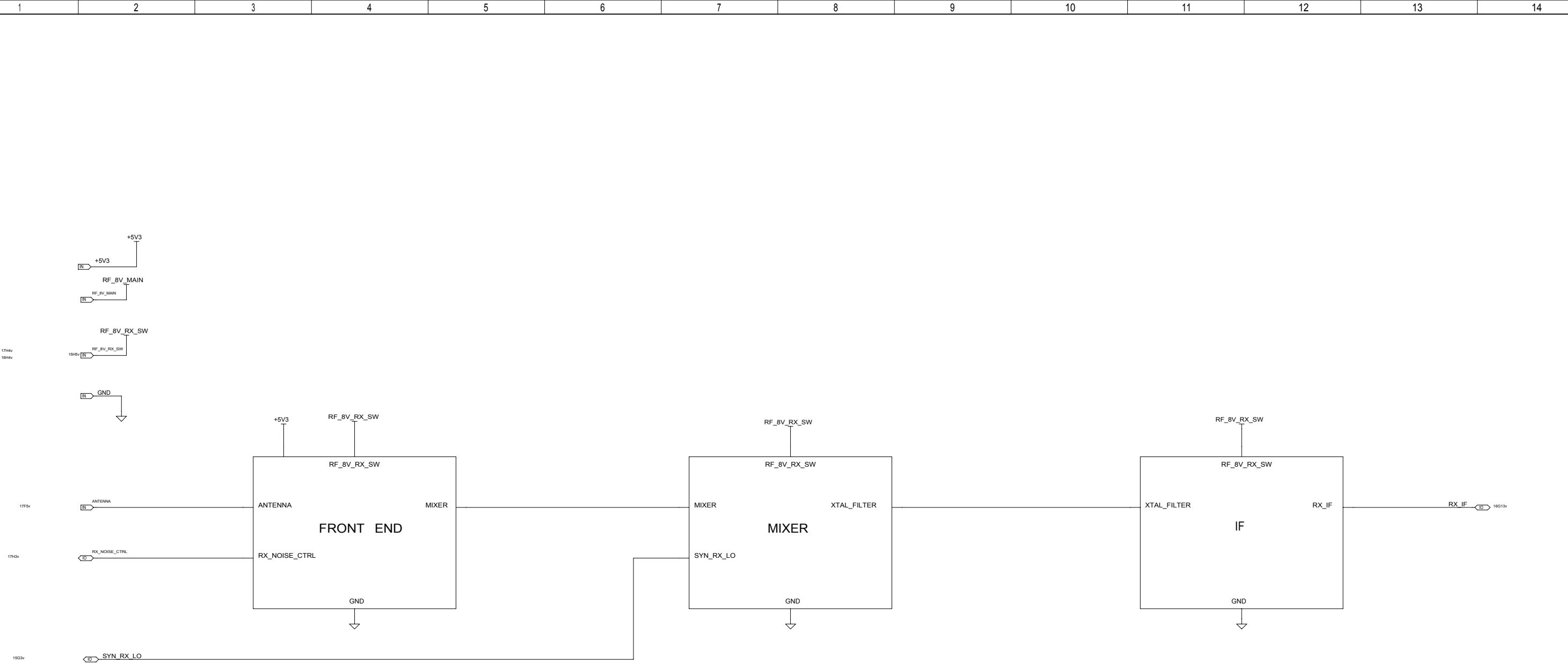
© TAIT ELECTRONICS		A1
<b>TB8000 800MHz EXTERNAL REFERENCE</b>		
IPN: 220-02061-02	ISSUE: B	VARIANT NUMBER: ?
FILE DATE: Tue Nov 23 16:33:40 2004	ENGINEER: P. Laglas	FILE NAME: 220_02061
		SHEET NUMBER: 12 OF 18

REV/ISS	AMENDMENTS	DRAWN	CHKD	D.O.	APVD	DATE
1						
2						
3						
4						
5						



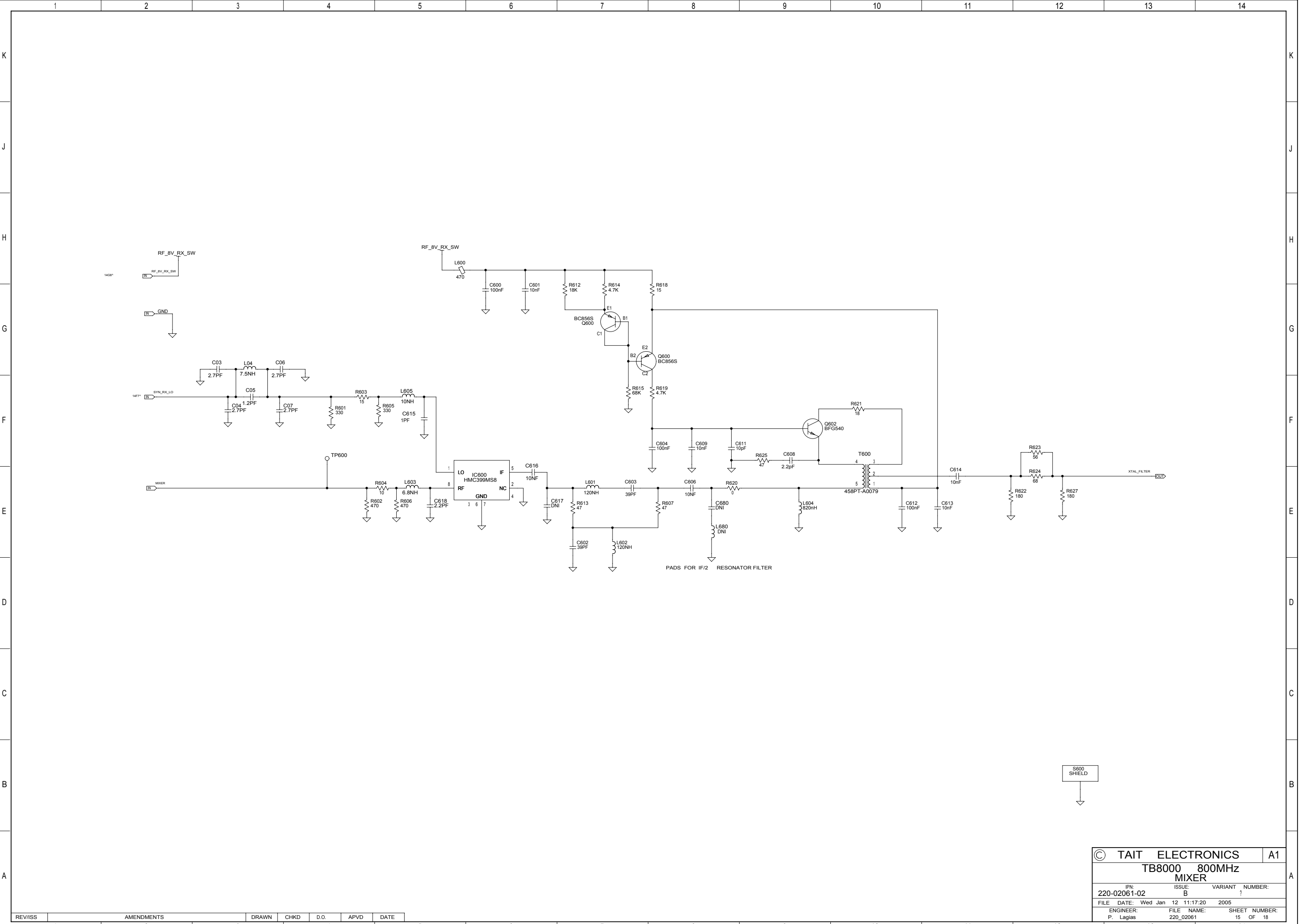
© TAIT ELECTRONICS		A1
TB8000 800MHz		
FREQUENCY CONTROL LOOP		
IPN: 220-02061-02	ISSUE: B	VARIANT NUMBER: ?
FILE DATE: Wed Jan 12 11:16:07 2005		
ENGINEER: P. Lagias	FILE NAME: 220_02061	SHEET NUMBER: 13 OF 18

REV/ISS	AMENDMENTS	DRAWN	CHKD	D.O.	APVD	DATE
1						
2						
3						
4						
5						
6						
7						
8						
9						
10						
11						
12						
13						
14						



© TAIT ELECTRONICS			A1
<b>TB8000 800MHz RECEIVER</b>			
IPN: 220-02061-02	ISSUE: B	VARIANT: ?	NUMBER: ?
FILE DATE: Wed Oct 06 16:17:05 2004	ENGINEER: P. Lagias		SHEET NUMBER: 14 OF 18

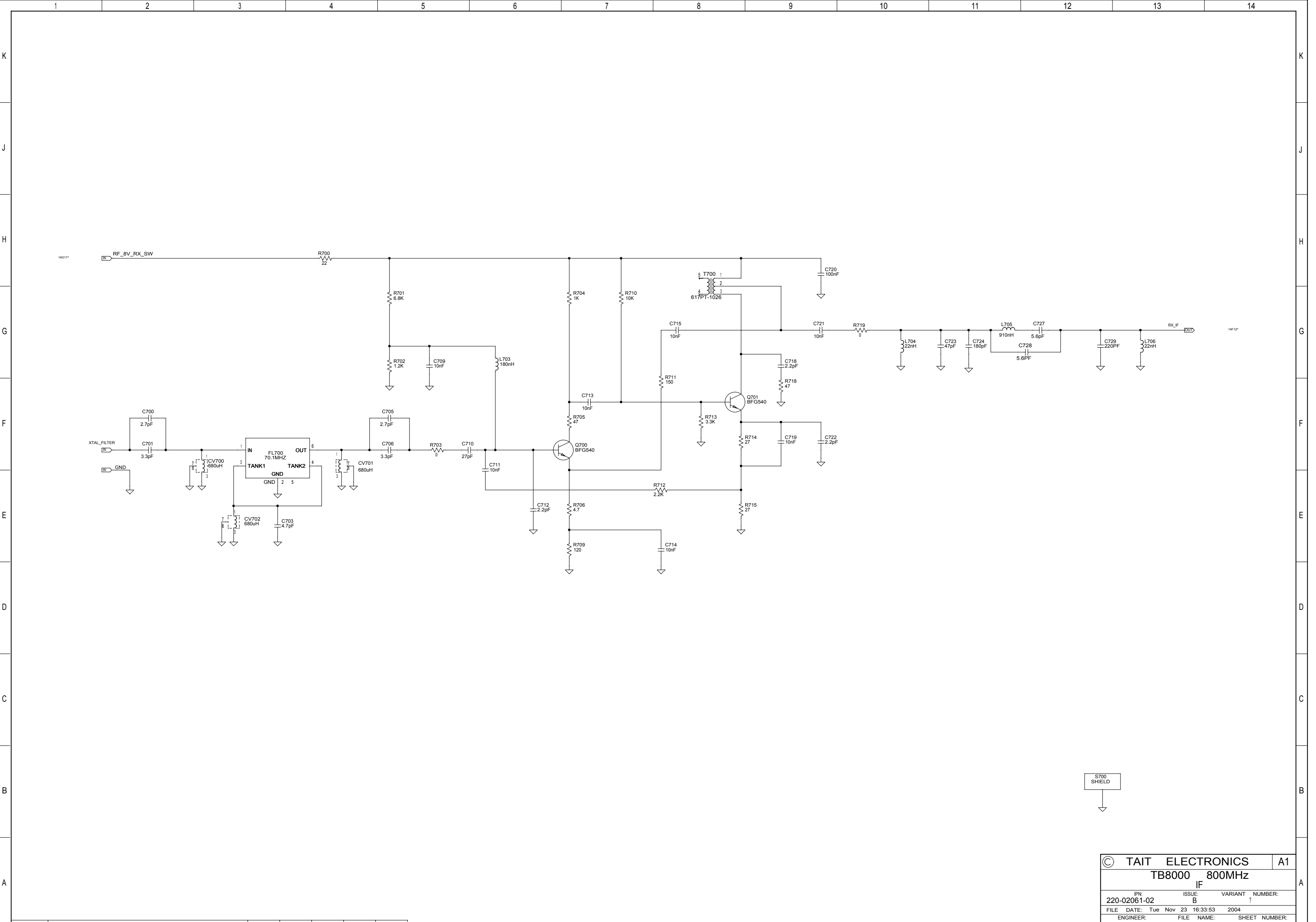
REV/ISS	AMENDMENTS	DRAWN	CHKD	D.O.	APVD	DATE
1	2	3	4	5	6	7



S600 SHIELD

© TAIT ELECTRONICS		A1
TB8000 800MHz MIXER		
IPN: 220-02061-02	ISSUE: B	VARIANT NUMBER: ?
FILE DATE: Wed Jan 12 11:17:20 2005		
ENGINEER: P. Lagias	FILE NAME: 220_02061	SHEET NUMBER: 15 OF 18

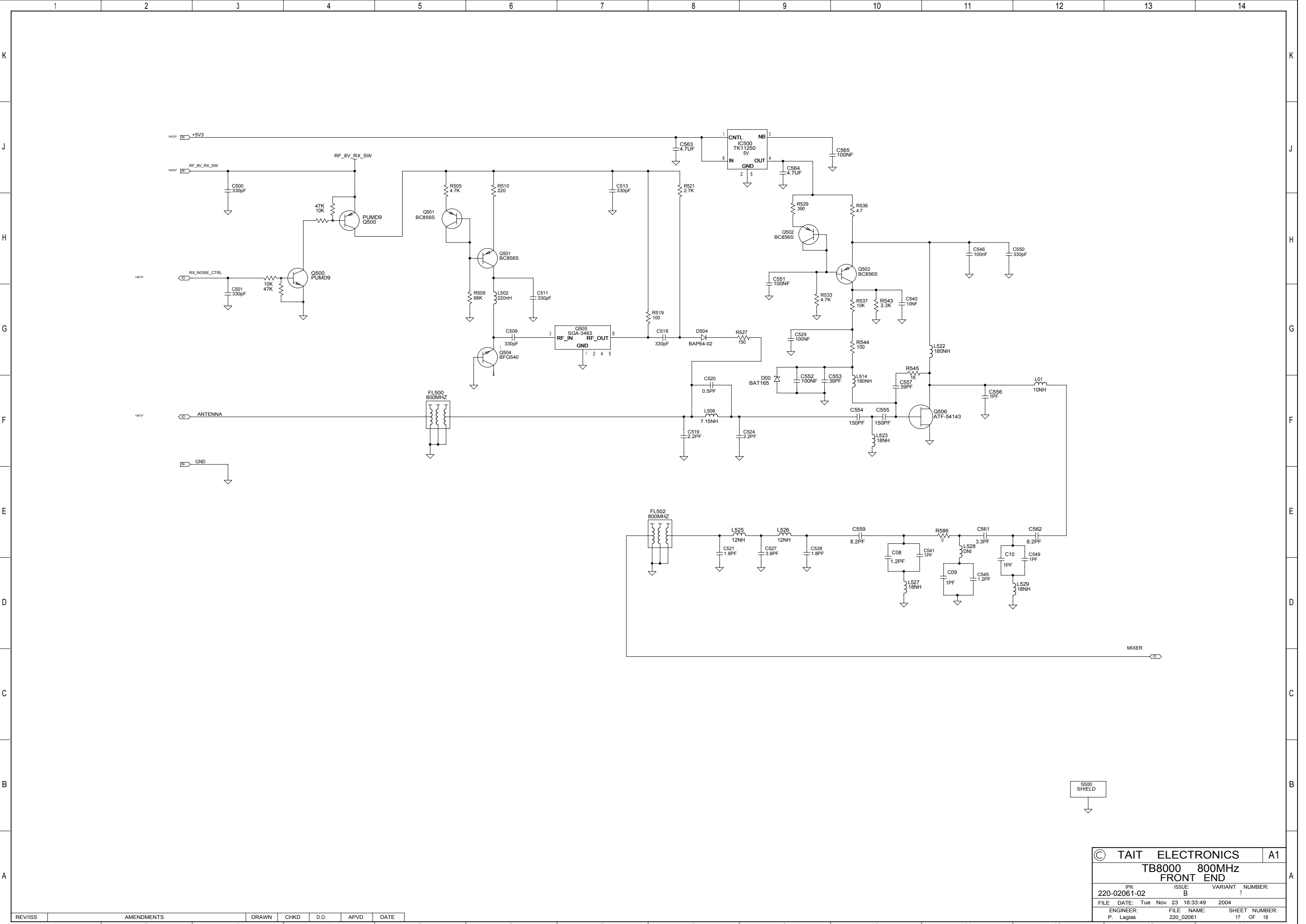
REV/ISS	AMENDMENTS	DRAWN	CHKD	D.O.	APVD	DATE
1						



© TAIT ELECTRONICS			A1
TB8000 800MHz			
IF			
IPN:	ISSUE:	VARIANT:	NUMBER:
220-02061-02	B		?
FILE DATE:	Tue Nov 23 16:33:53 2004		
ENGINEER:	FILE NAME:	SHEET NUMBER:	
P. Lagias	220_02061	16 OF 18	

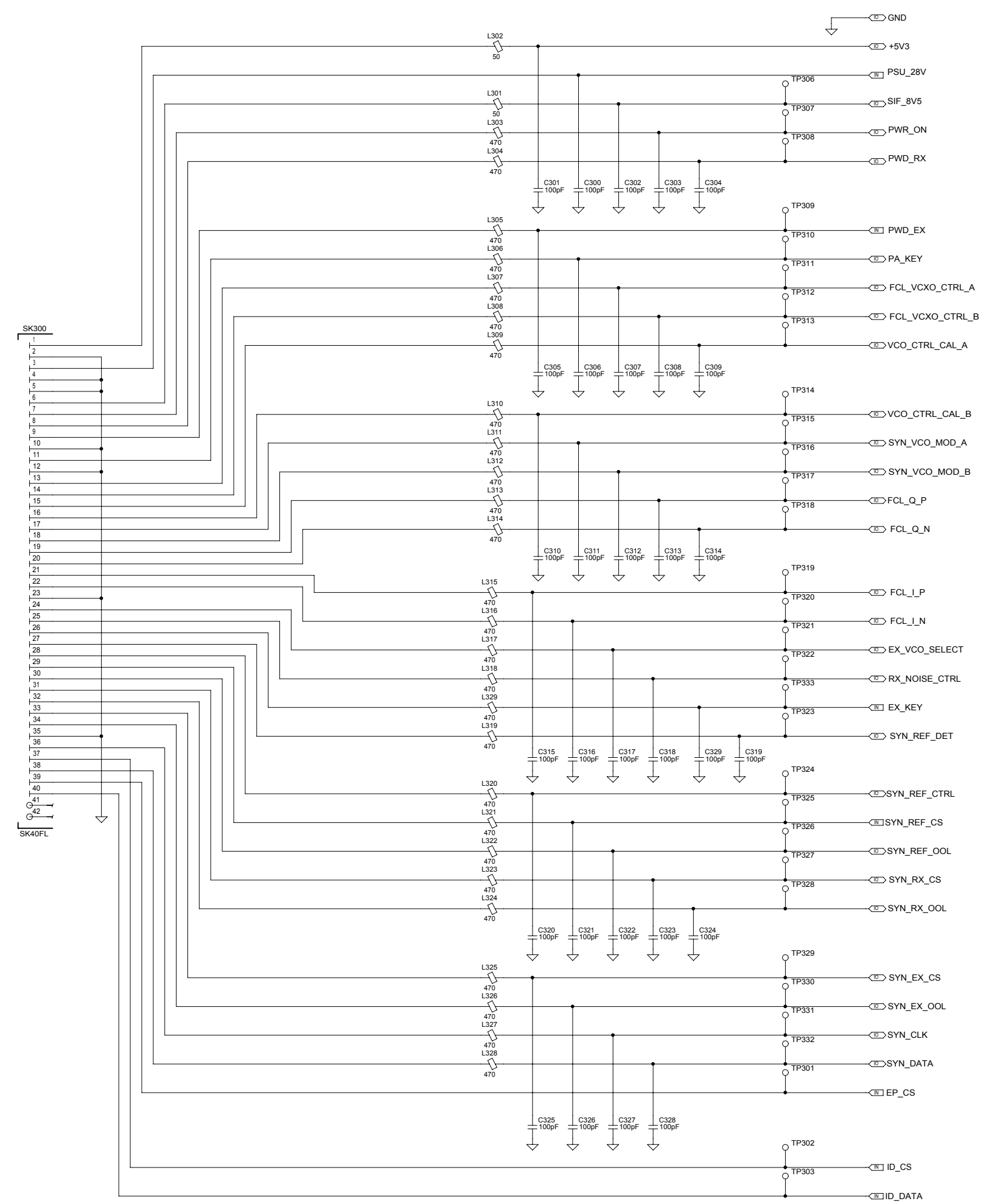
REV/ISS	AMENDMENTS	DRAWN	CHKD	D.O.	APVD	DATE
1						
2						
3						
4						
5						
6						
7						
8						
9						
10						
11						
12						
13						
14						





© TAIT ELECTRONICS		A1
TB8000 800MHz FRONT END		
IPN: 220-02061-02	ISSUE: B	VARIANT NUMBER: ?
FILE DATE: Tue Nov 23 16:33:49 2004	SHEET NUMBER: 17 OF 18	
ENGINEER: P. Lagias	FILE NAME: 220_02061	SHEET NUMBER: 17 OF 18

REV/ISS	AMENDMENTS	DRAWN	CHKD	D.O.	APVD	DATE
1						
2						
3						
4						
5						
6						
7						
8						
9						
10						
11						
12						
13						
14						



© TAIT ELECTRONICS			A1
TB8000 800MHz RF CONN			
IPN: 220-02061-02	ISSUE: B	VARIANT: ?	NUMBER: ?
FILE DATE: Tue Nov 23 16:33:17 2004			
ENGINEER: P. Lagias		FILE NAME: 220_02061	SHEET NUMBER: 18 OF 18

REV/ISS	AMENDMENTS	DRAWN	CHKD	D.O.	APVD	DATE
1						